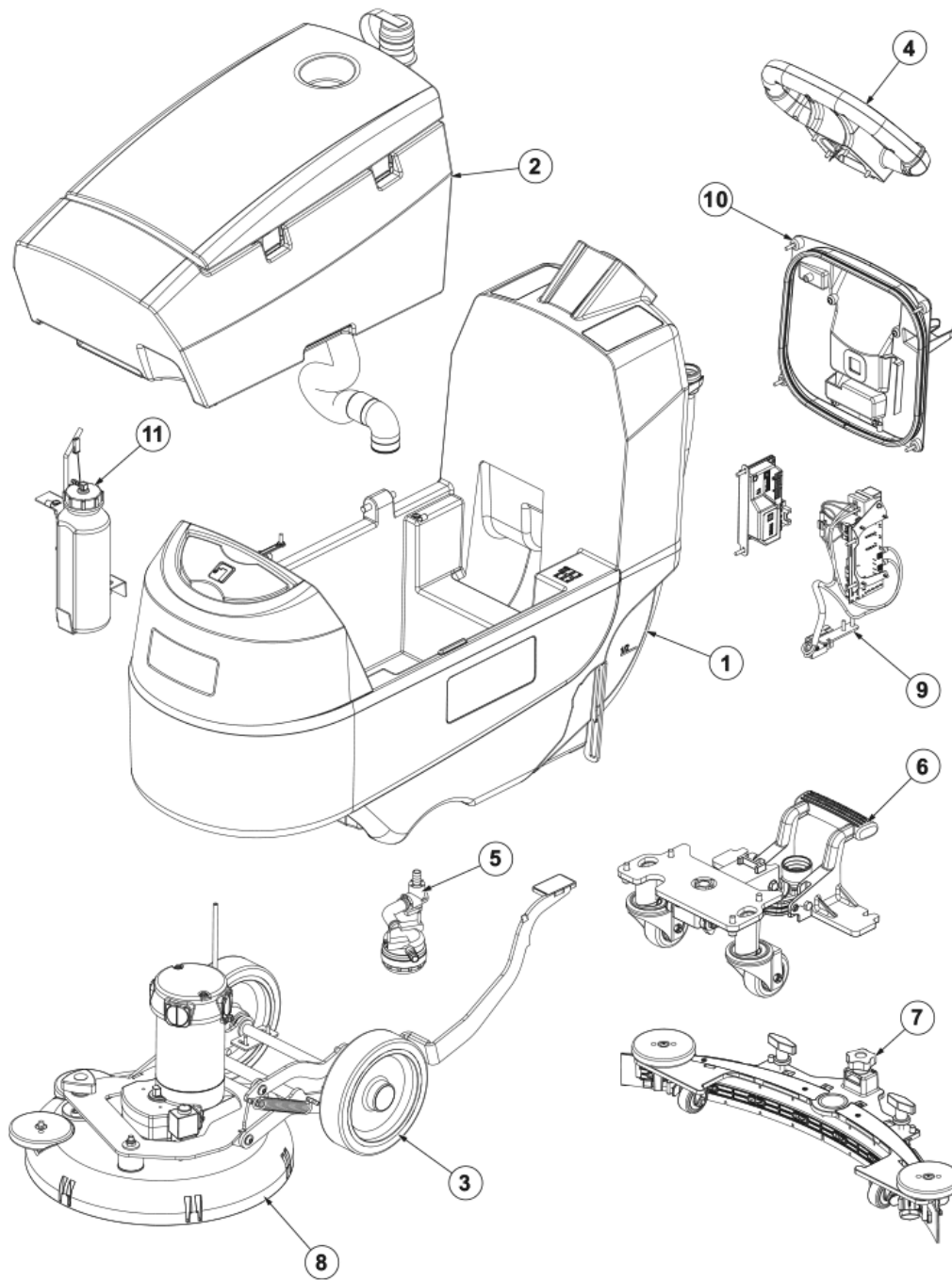


PARTS LIST

TABLE OF CONTENTS

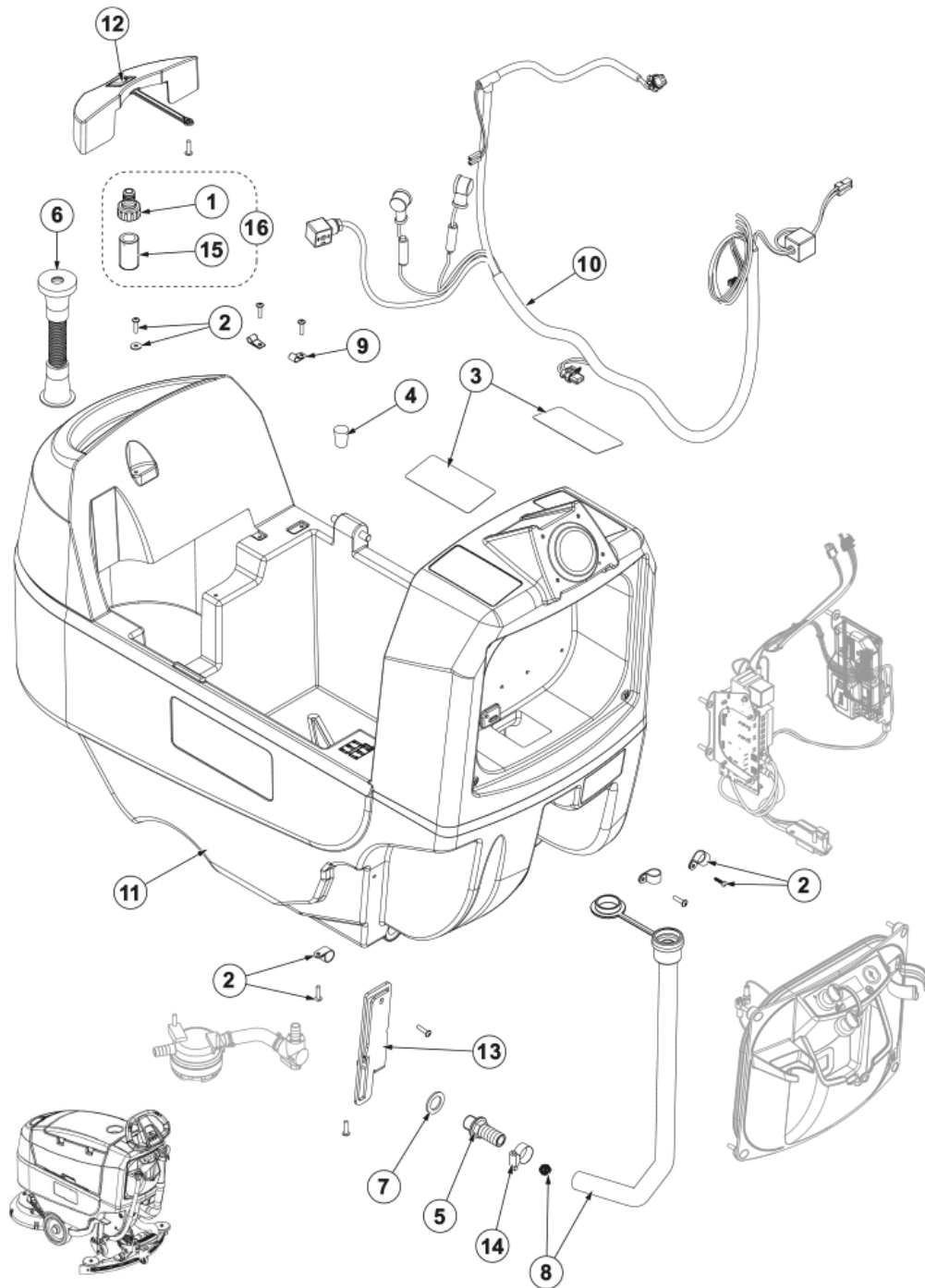
PL GENERAL VIEW	1
PL SOLUTION TANK SYSTEM.....	3
PL RECOVERY TANK SYSTEM.....	5
PL VACUUM MOTOR SYSTEM.....	7
PL WHEELS SYSTEM (NO DRIVE).....	9
PL HANDLEBAR SYSTEM (NO DRIVE).....	11
PL REAR WHEELS SYSTEM.....	13
PL SQUEEGEE SYSTEM.....	15
PL BRUSH DECK (NO DRIVE).....	17
PL ELECTRICAL COMPONENTS SYSTEM (NO DRIVE).....	19
PL BATTERY CHARGER.....	21
PL COVER ELECTRONIC SYSTEM (NO DRIVE).....	23
PL DETERGENT SYSTEM.....	25
PL BRUSHES.....	27
PL WIRING DIAGRAM (NO DRIVE).....	29



No.	Part No.	Qty.	Description	Part Note
1		1	SOLUTION TANK SYSTEM	[1]
2		1	RECOVERY TANK SYSTEM	[2]
3		1	WHEELS SYSTEM	[3]
4		1	HANDLEBAR SYSTEM	[4]
5		1	SOLUTION SYSTEM	[5]
6		1	REAR WHEELS SYSTEM	[6]
7		1	SQUEEGEE SYSTEM	[7]
8		1	BRUSH DECK SYSTEM	[8]
9		1	ELECTRICAL COMPONENTS SYSTEM	[9]
10		1	COVER ELECTRONIC SYSTEM	[10]
11		1	DETERGENT SYSTEM	[11]

Part Notes:

- [1] - PL SOLUTION TANK SYSTEM
- [2] - PL RECOVERY TANK SYSTEM
- [3] - PL WHEELS SYSTEM
- [4] - PL HANDLEBAR SYSTEM
- [5] - PL SOLUTION SYSTEM
- [6] - PL REAR WHEELS SYSTEM
- [7] - PL SQUEEGEE SYSTEM
- [8] - PL BRUSH DECK
- [9] - PL ELECTRICAL COMPONENTS SYSTEM
- [10] - PL COVER ELECTRONIC SYSTEM
- [11] - PL DETERGENT SYSTEM



PL SOLUTION TANK SYSTEM

SC401 43 B NIL

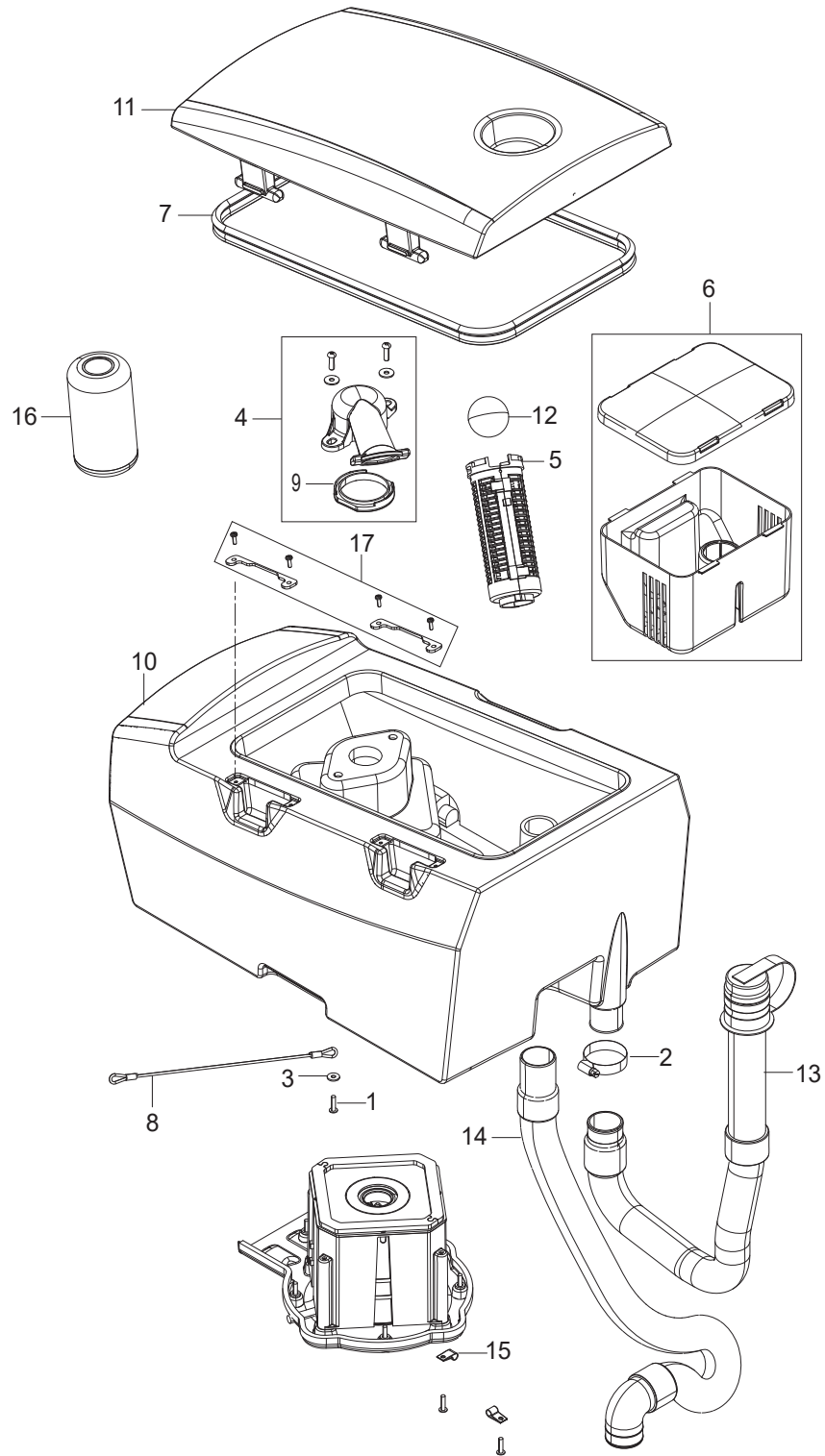
2017.11.01

2017.12.06

No.	Part No.	Qty.	Description	Part Note
1	1402809	1	GARDENA COMPATIBLE MALE COUPLING 3/4	
2	9100002424	1	HARDWARE SOLUTION TANK KIT	
3	9100002434	1	DECALS FUNCTIONS SETTING KIT	
4	909 6236 000	1	PLUG RUBBER 15.9-20.3 MM BLACK	
5	9100000574	1	BARB HOSE STRAIGHT D.19.8 G1/2 PLAST KIT	
6	9100000703	1	HOSE FILLING SIP	
7	9100001139	1	GASKET RUBBER D.21X33X2.5 BLACK SIP	
8	9100002431	1	HOSE FRESH WATER LEV. W/CAP KIT	
9	L08193000	2	CLAMP CABLE BLACK	
10	9100002425	1	HARNESS MACHINE DRIVE SIP	
11	9100002427	1	TANK SOLUTION 30L PLAST. GREY DRIVE SIP	
12	9100002430	1	CAP RUBBER F SOLUTION TANK SIP	
13	9100002432	1	SUPPORT PEDAL SS F DRIVE VERS. SIP	
14	L08603916	1	CLAMP 12/ 16-27	
15	9100002435	1	CONNECTOR MALE THD 3/4 G PLAST.BLACK SIP	
16	9100002572	1	HOSE QUICK CONNECTION	[1]

Part Notes:

[1] - OPTIONAL



PL RECOVERY TANK SYSTEM

SC401 43 B NIL

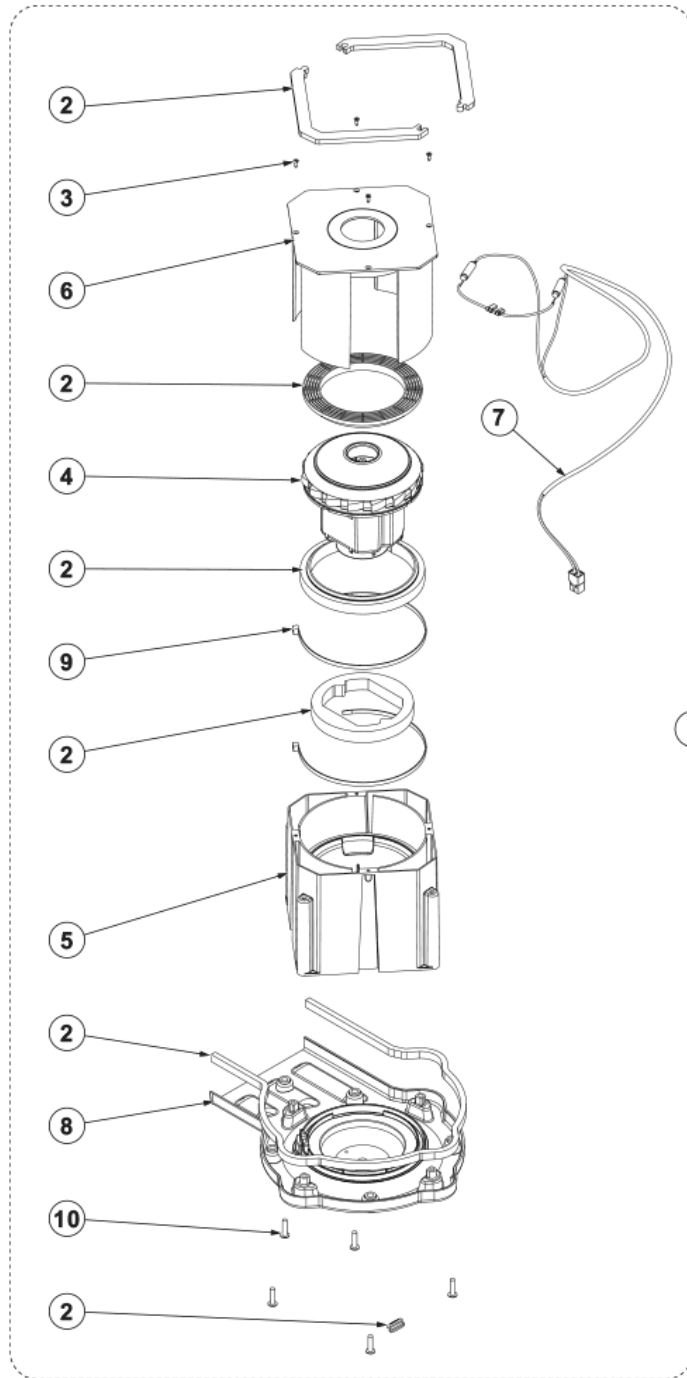
2019.12.04

2019.08.12

No.	Part No.	Qty.	Description	Part Note
1	9100002437	1	SCREW M5X20 TORX ISO7380-2 10 PCS SET	
2	9100001348	1	CLAMP HOSE 32-52/12 10 PCS SET	
3	145 8280 000	1	WASHER PLAIN M5X15 SS ISO7093	
4	9100001875	1	SUPPORT FLOAT KIT	
5	9100000818	1	CAGE FLOAT HALF 2 PCS SET	
6	9100000795	1	TRAY DEBRIS KIT	
7	9100002436	1	GASKET BULB RUBBER L.1450MM SIP	
8	9100002438	1	CABLE SAFETY F TANK SIP	
9	9100000928	1	GASKET FLOAT SUPPORT PLAST. SIP	
10	9100002439	1	TANK RECOVERY 30L PLAST. GREY SIP	
11	9100002441	1	COVER PLAST. GREY F TANK 30L SIP	
12	9100000817	1	BALL FLOATING SIP	
13	9100002443	1	HOSE DRAIN BLACK L.530MM SIP	
14	9100002444	1	HOSE SUCTION SQUEE. 90 BLACK L.970MM SIP	
15	L08193000	2	CLAMP CABLE BLACK	
16	909 5065 000	1	FILTER ANTIFOAMING	[1]
17	9100002985	1	PLATE HINGE LOCATOR KIT	

Part Notes:

[1] - OPTIONAL



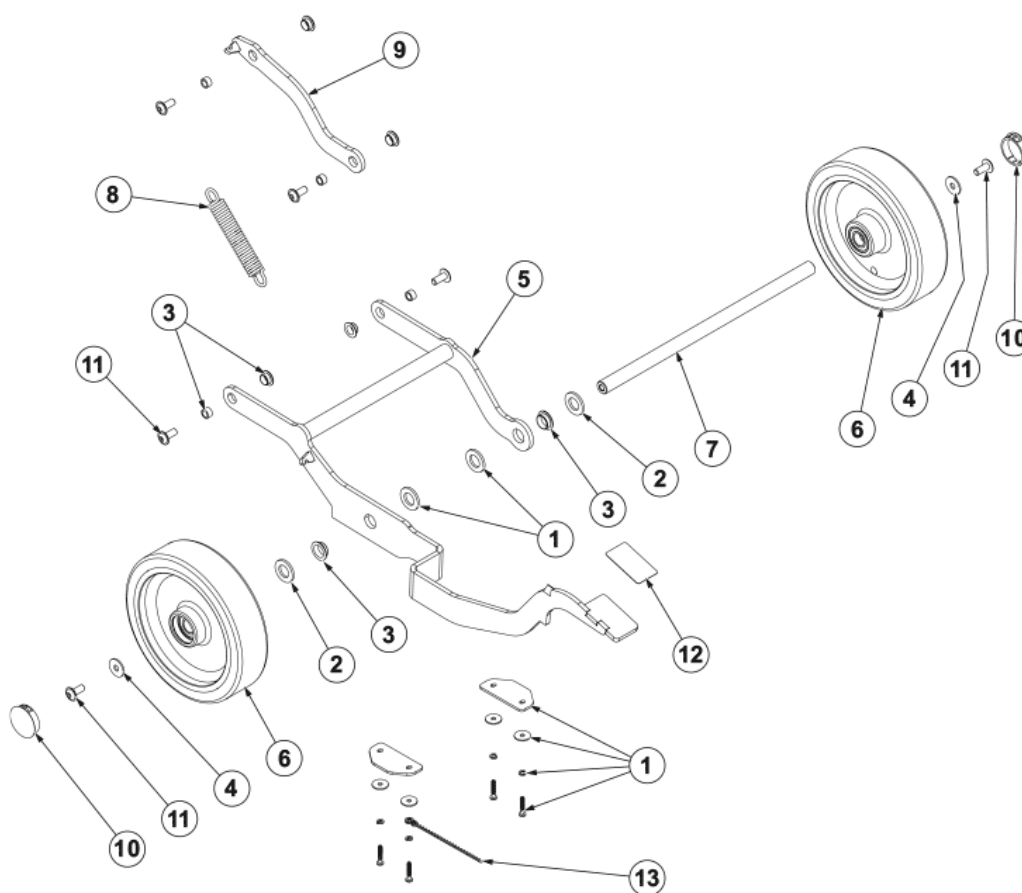
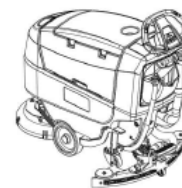
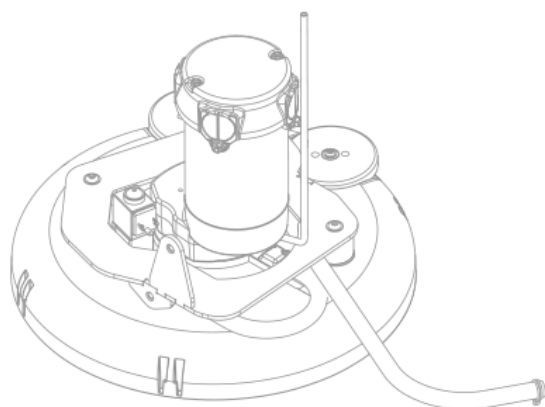
PL VACUUM MOTOR SYSTEM

SC401 43 B NIL

2017.11.01

2017.12.06

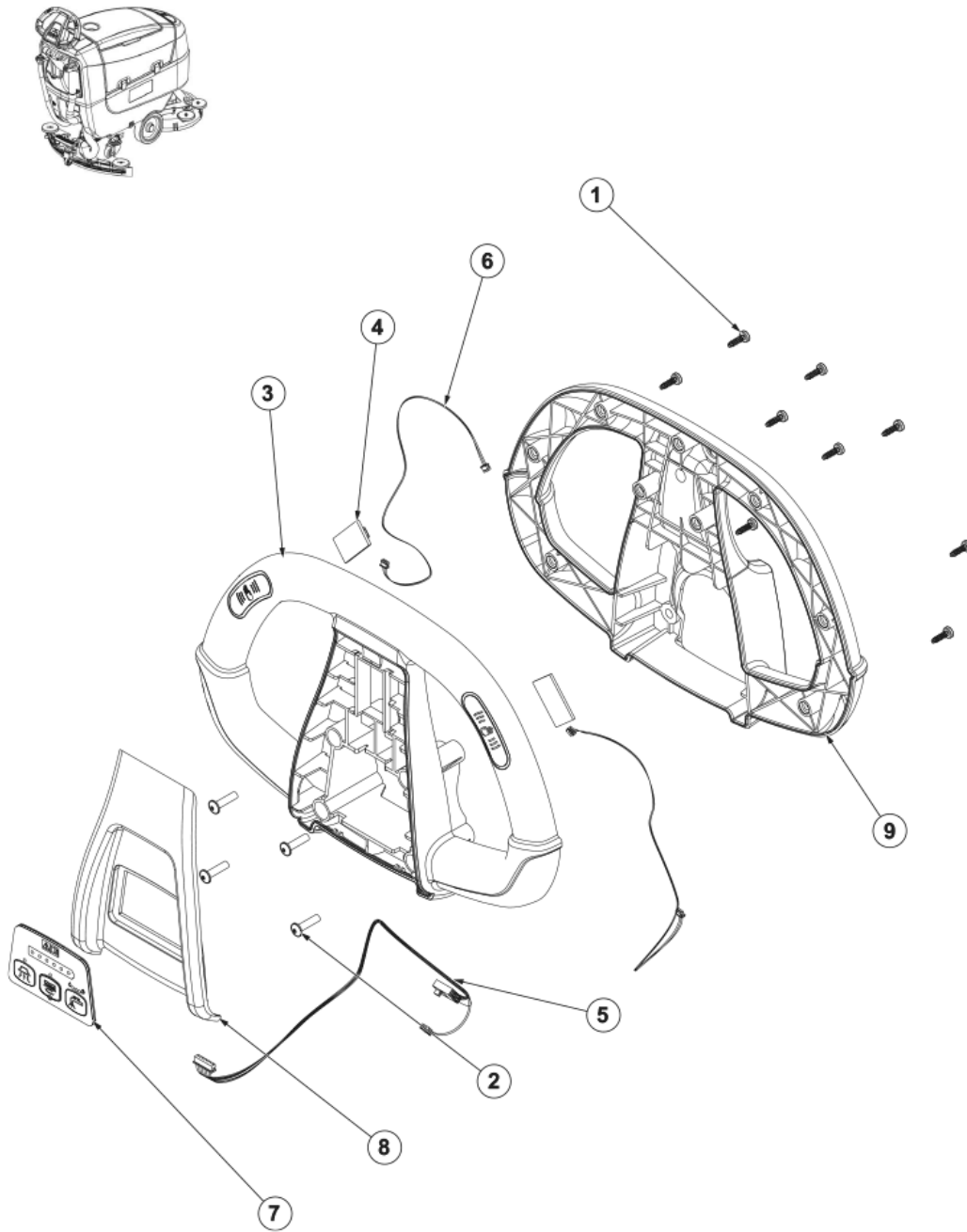
No.	Part No.	Qty.	Description	Part Note
1	9100002533	1	MOTOR VACUUM 280W 24W KIT	
2	9100002447	1	GASKETS VAC. MOTOR KIT	
3	145 1756 000	4	SCREW 2.9X9.5 SELF C/SUNK PHIL ISO7050	
4	9100000823	1	MOTOR VACUUM 24V 280W SIP	
5	9100001983	1	SUPPORT EXT. PLAST. F VAC. MOTOR KIT	
6	9100001989	1	SUPPORT INT. PLAST. F VAC. MOTOR SIP	
7	9100002445	1	HARNESS VACUUM MOTOR 24V SIP	
8	9100002446	1	SUPPORT PLAST. F VACUUM MOTOR SIP	
9	1466337000	1	TIE CABLE 4.8X430 WHITE 2 PCS SET	
10	9100002437	1	SCREW M5X20 TORX ISO7380-2 10 PCS SET	



No.	Part No.	Qty.	Description	Part Note
1	9100002465	1	HARDWARE FRONT WHEELS SYST.NO DRIVE KIT	
2	33023628	1	WASHER PLAIN M16X30 ISO7089 10PCS.SET	
3	9100002458	1	BUSHINGS AND BEARINGS F PEDAL SYST. KIT	
4	33023660	1	WASHER PLAIN M8X24X2 ISO7093 5 PCS SET	
5	9100002461	1	PEDAL BRUSH LIFTING GALV. SIP	
6	9100002462	2	WHEEL D.200X50 TPE BLACK/GREY SIP	
6	9100002546	1	WHEEL FRONT D.200 PU GREY-BLACK 2PCS SET	[1]
7	9100002463	1	SHAFT WHEELS PHOS. SIP	
8	9100002452	1	SPRING EXTENTION D.E.20.5 WIRE D.3.5 SIP	
9	9100002464	1	LEVER BRUSH DECK GALV. SIP	
10	9100002450	1	PLUG DOME O.D.42.4 PLAST.BLACK 2 PCS SET	
11	9100002456	1	SCREW M8X20 BUTTON ISO7380-2 10 PCS SET	
12	9100002457	1	ANTI-SLIP SURFACING BLACK 35X60MM SIP	
13	9100002459	1	CHAIN W/EYELET GROUND KIT	

Part Notes:

[1] - OPTIONAL



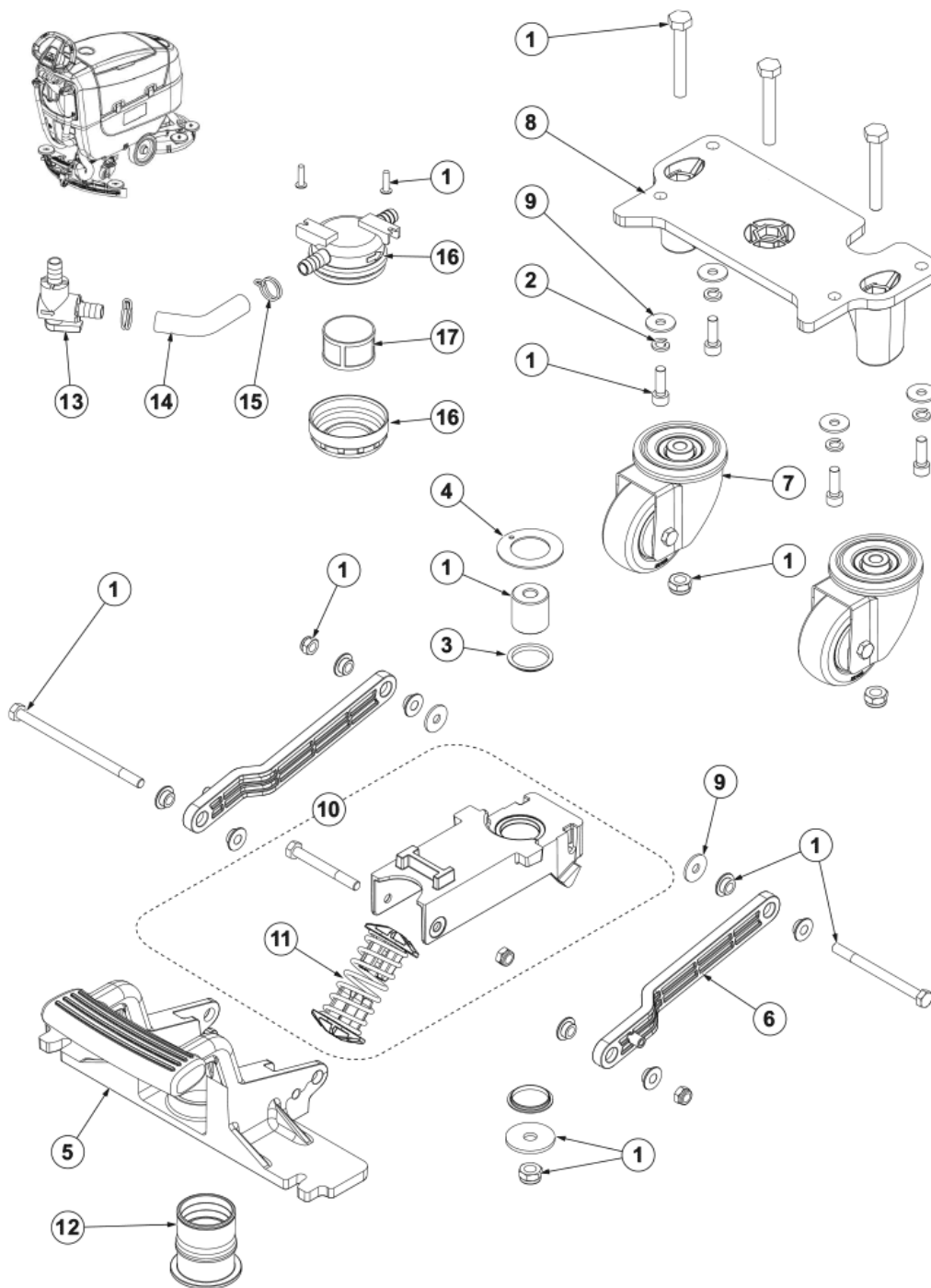
PL HANDLEBAR SYSTEM (NO DRIVE)

SC401 43 B NIL

2017.11.01

2017.12.06

No.	Part No.	Qty.	Description	Part Note
1	140 9214 040	9	SCREW PTK TORX 40X14 MM FZB	
2	9100002437	1	SCREW M5X20 TORX ISO7380-2 10 PCS SET	
3	9100002467	1	COVER PLAST. F HANDLE BAR SIP	
4	9100002016	2	SENSOR CAPACITIVE SIP	
5	9100002468	1	HARNESS DASHBOARD SIP	
6	9100002469	2	HARNESS HANDLE BAR SENSORS SIP	
7	9100002472	1	CONTROLLER USER INTERFACE 24V SIP	
8	9100002553	1	COVER CENTRAL PLAST. F HANDLE BAR SIP	
9	9100002554	1	FRAME PLAST. F HANDLE BAR SIP	



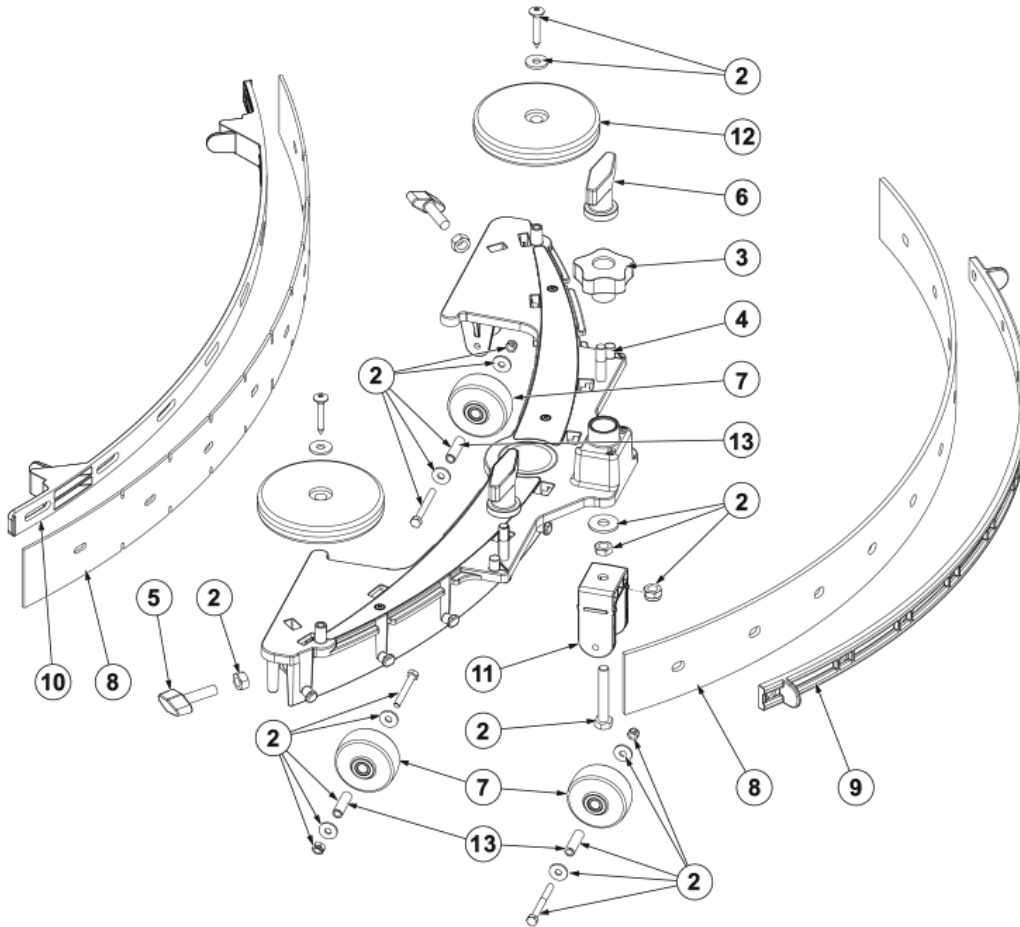
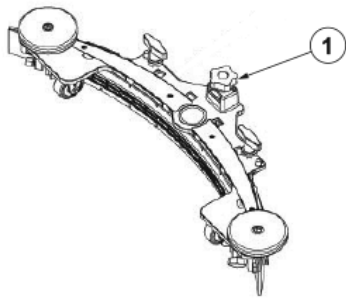
PL REAR WHEELS SYSTEM

SC401 43 B NIL

2017.11.01

2017.12.06

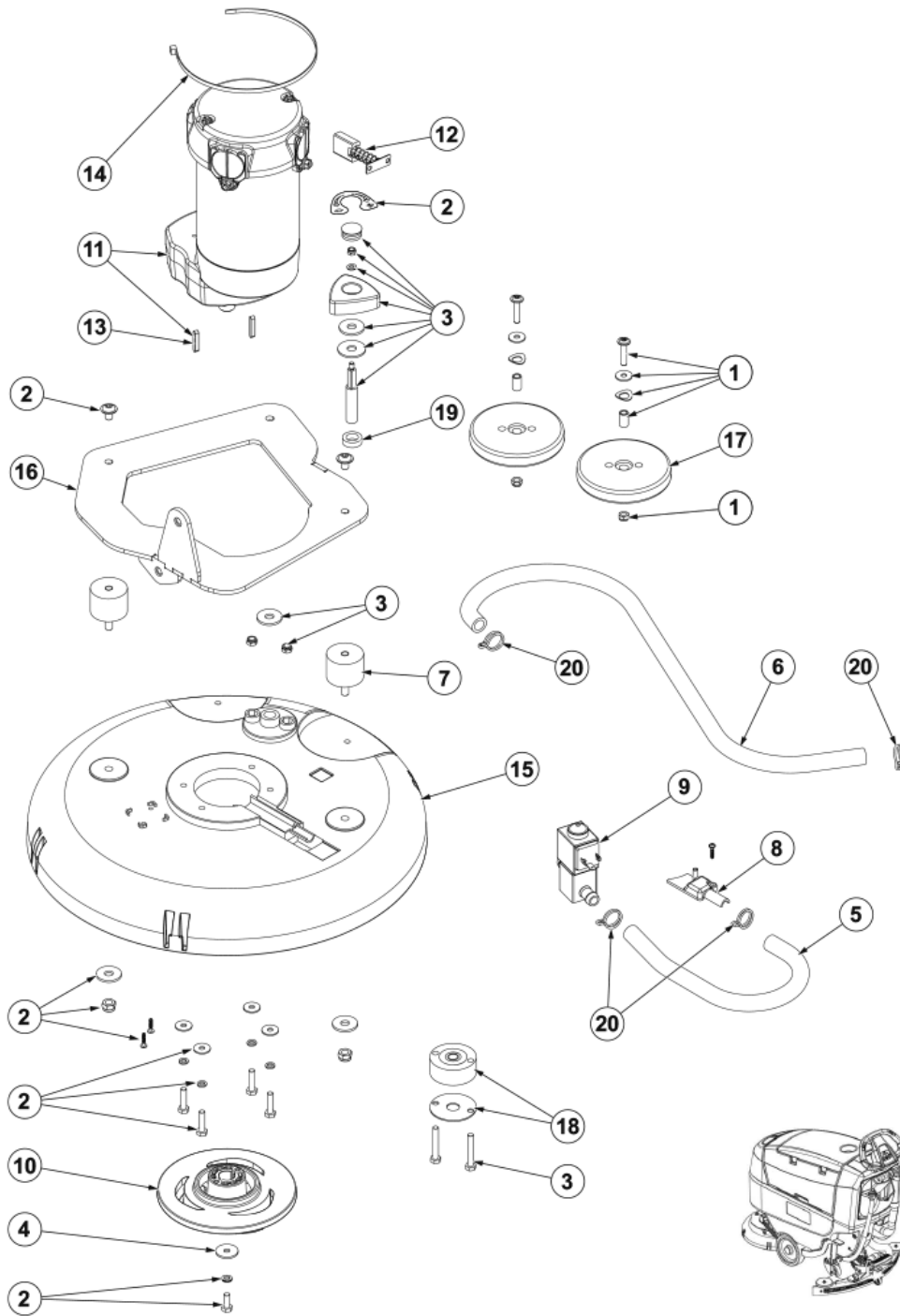
No.	Part No.	Qty.	Description	Part Note
1	9100002475	1	HARDWARE REAR WHEELS SYSTEM KIT	
2	33023223	1	WASHER SPRING LOCK M8 DIN127B 10 PCS SET	
3	9100000902	1	BEARING FLANGE IGLIDUR 2 PCS SET	
4	9100000903	1	WASHER THRUST GTM 3254-015 SIP	
5	9100000853	1	SUPPORT LOWER F SQUEEGEE SIP	
6	9100000854	1	LEVER SQUEEGEE LIFT 2 PCS SET	
7	9100000856	1	WHEEL CASTOR D.80X32 GALV. 2 PCS SET	
8	9100002473	1	SUPPORT ALU F REAR WHEELS-SQUEEGEE SIP	
9	33023660	2	WASHER PLAIN M8X24X2 ISO7093 5 PCS SET	
10	9100002400	1	SUPPORT UPPER F SQUEEGEE KIT	
11	9100002401	1	SPRING COMPRESSION KIT	
12	9100002396	1	SLEEVE RUBBER BLACK F SUCTION HOSE SIP	
13	9100000803	1	VALVE ELBOW SIP	
14	9100002474	1	HOSE PVC W/SPIRAL D.12X18 L.100MM SIP	
15	9100001159	1	CLAMP DOUBLE WIRE SPRING D.18 10 PCS SET	
16	9100000860	1	FILTER WATER SIP	
17	9100000861	1	NET WATER FILTER REINFORCED SIP	



No.	Part No.	Qty.	Description	Part Note
1	9100002570	1	SQUEEGEE 700MM 28 PLAST. KIT	
2	9100000748	1	HARDWARE SQUEEGEE KIT	
3	9100000862	1	KNOB LOBES M8 FEMALE SIP	
4	9100000747	1	SQUEEGEE 700MM 28 PLAST. PRE-ASSEMB. SIP	
5	9100000791	2	KNOB M8X30 THD STUD SS SIP	
6	9097637000	1	SQUEEGEE FIXING KIT	
7	9100000559	3	WHEEL D.51 GREY SIP	
8	9100002541	1	BLADE SQUEEGEE 700MM 28 GUM KIT	[1]
8	9100002542	1	BLADE SQUEEGEE 700MM 28 PU KIT	[1]
8	9100002543	1	BLADE SQUEEGEE 700MM 28 RED GUM KIT	[1]
9	9100000864	1	STRAP REAR ELASTIC F SQUEE. 700MM 28 SIP	
10	9100000865	1	STRAP FRONT PLAST. F SQUEE. 700MM 28 SIP	
11	9100000866	1	SUPPORT SQUEEGEE WHEEL SIP	
12	9100001816	1	WHEEL BUMPER D.100 PLASTIC 2 PCS SET	
13	9100002408	1	BEARING SLEEVE D.5.1X8 H.28.5 3 PCS SET	

Part Notes:

[1] - OPTIONAL



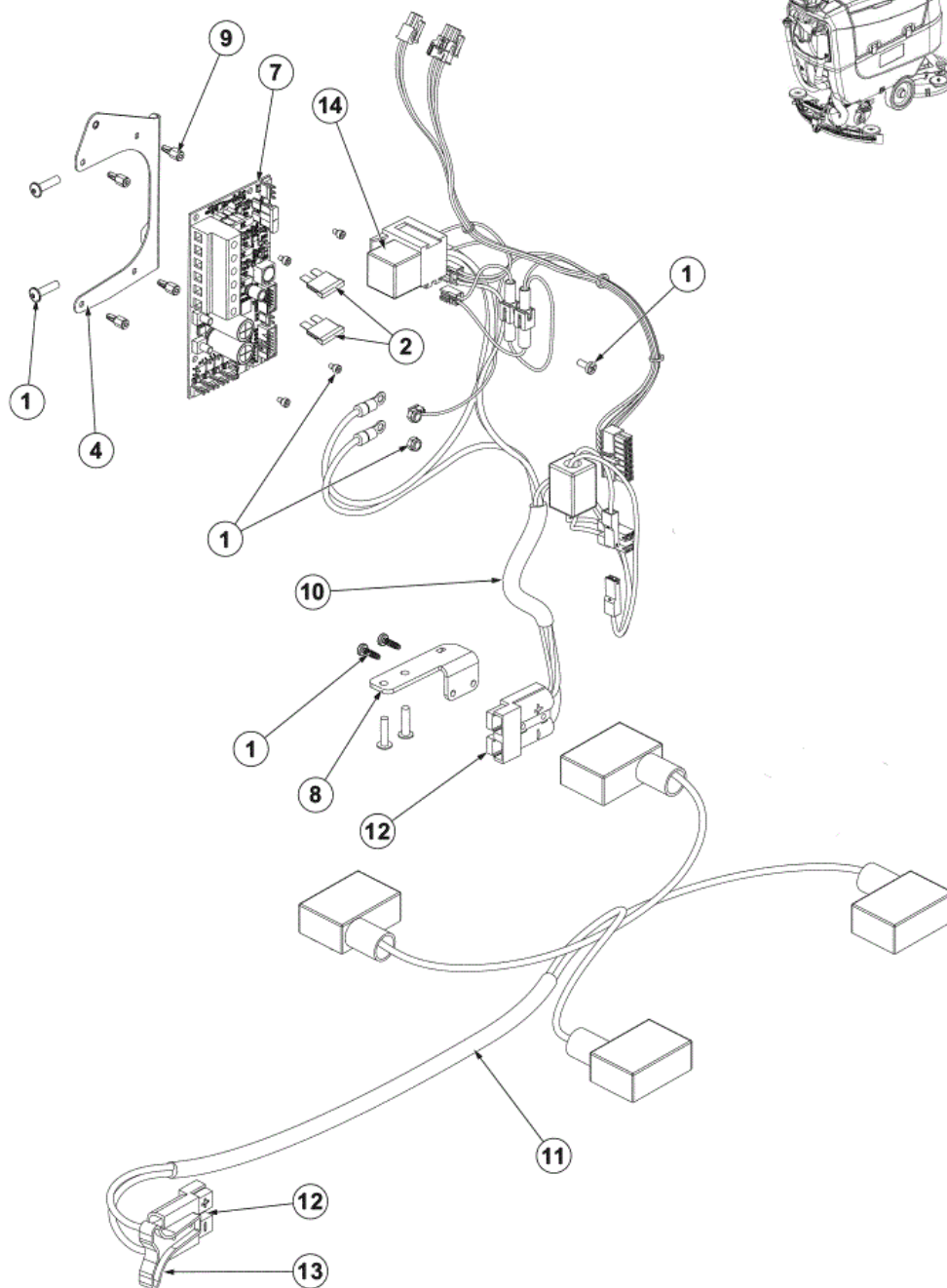
PL BRUSH DECK (NO DRIVE)

SC401 43 B NIL

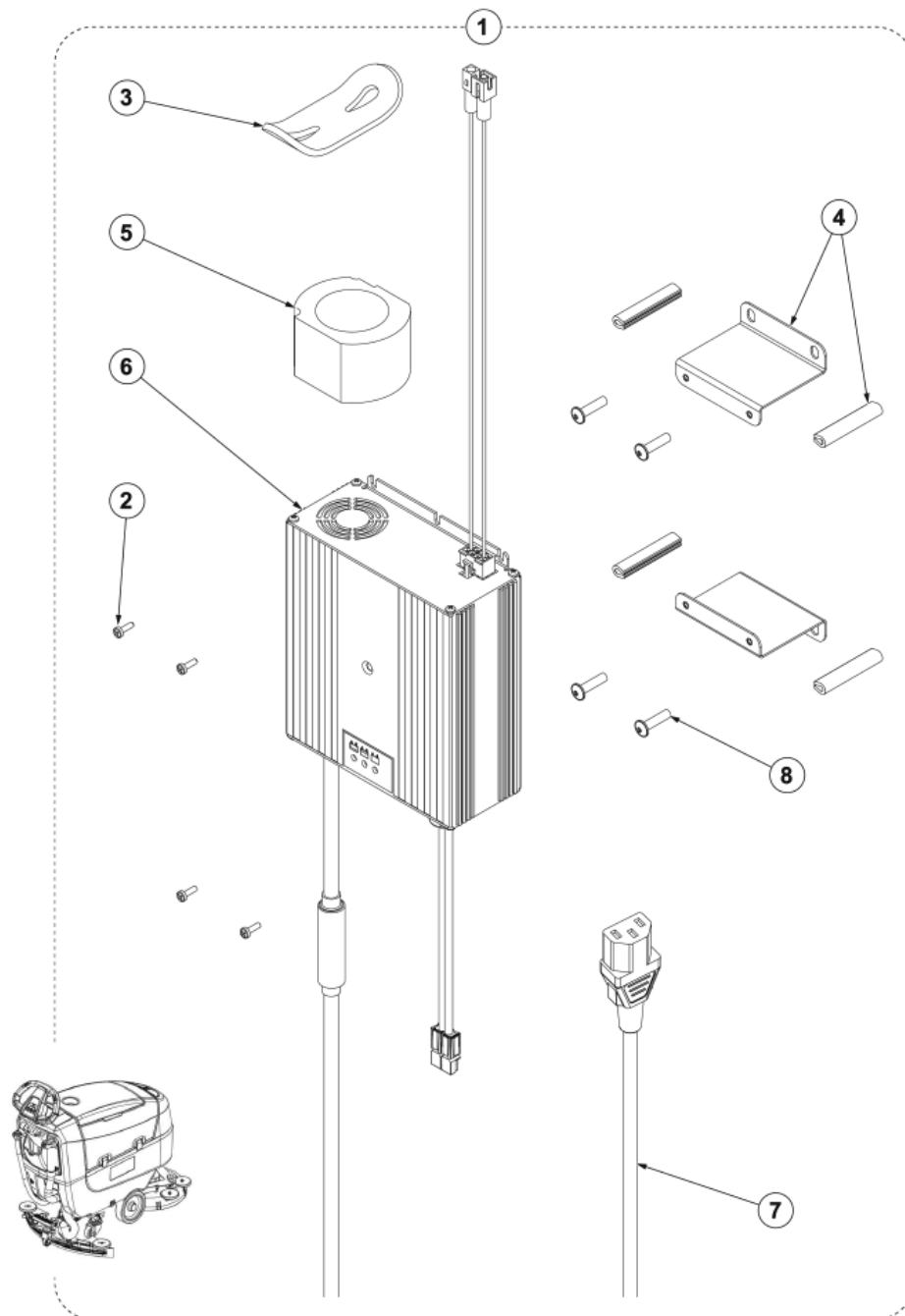
2017.11.01

2017.12.06

No.	Part No.	Qty.	Description	Part Note
1	9100002481	1	HARDWARE BUMPER WHEELS KIT	
2	9100002482	1	HARDWARE BUSH DECK KIT	
3	9100002483	1	KNOB BRUSH SPEED ADJUSTM. KIT	
4	9100001272	1	WASHER PLAIN M6X24 SS ISO7093 10 PCS SET	
5	9100002479	1	HOSE PVC W/SPIRAL D.12X18 L.330MM SIP	
6	9100002480	1	HOSE PVC W/SPIRAL D.12X18 L.800MM SIP	
7	9100000868	1	VIBRATION DAMPING M8 60SH 2 PCS SET	
8	9100000869	1	COVER F SOLUTION HOSE SUPPORT PLAST. SIP	
9	9100000870	1	SOLENOID VALVE 24V SIP	
10	9100000871	1	HUB BRUSH SIP	
11	9100000874	1	REDUCTION GEARMOTOR 450W 24V SIP	
12	9098376000	1	CARBON BRUSH 4 PCS SET	
13	9100000875	1	KEY 5X5X30 DIN6885 2 PCS SET	
14	9100002449	1	TIE CABLE 4.8X500 BLACK 2 PCS SET	
15	9100002477	1	DECK BRUSH 430MM/17 PLAST. SIP	
16	9100002478	1	PLATE BRUSH DECK HOLDER GALV. SIP	
17	9100001816	1	WHEEL BUMPER D.100 PLASTIC 2 PCS SET	
18	L08812780	1	PLATE FIXING BRUSH KIT	
19	9100002484	1	SPACER D.12.5X20 H.6 PLAST. SIP	
20	9100001159	1	CLAMP DOUBLE WIRE SPRING D.18 10 PCS SET	



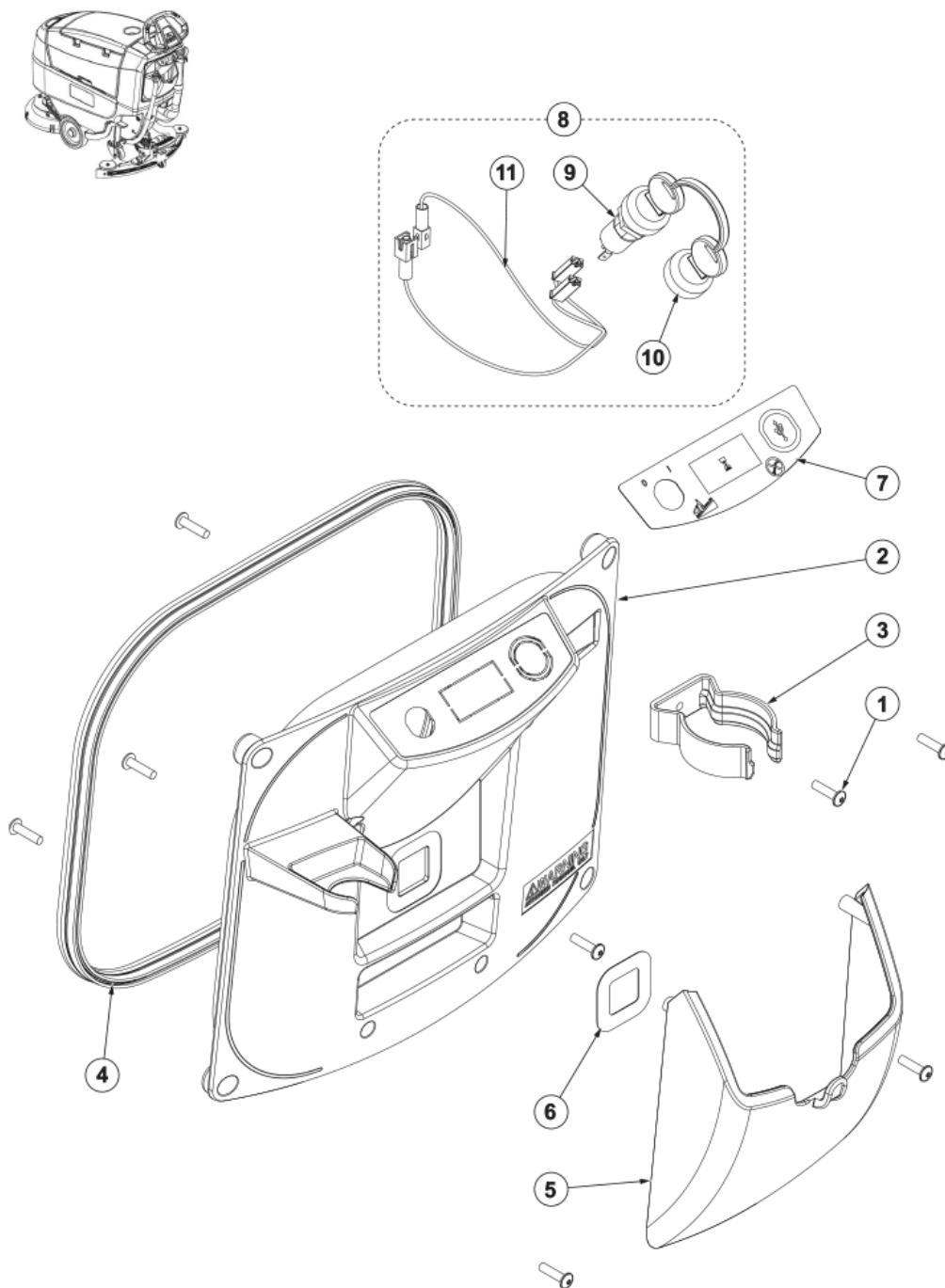
No.	Part No.	Qty.	Description	Part Note
1	9100002492	1	HARDWARE ELECTRICAL SYST. KIT	
2	145 8513 000	3	FUSE BLADE 30A UL	
4	9100002485	1	SUPPORT GALV. F CONTR. MAIN MACH. BA SIP	
7	9100002494	1	CONTROLLER MAIN MACHINE BAT SIP	
8	9100002487	1	SUPPORT GALV. F BATTERY CONNECTOR SIP	
9	9100002488	1	SUPPORT THD PLAST F CONTROLLER 4 PCS SET	
10	9100002489	1	HARNESS ELECT.COMP.BOX BA DRIVE SIP	
11	9100002490	1	HARNESS BATTERY EU SIP	
12	9100002248	2	CONNECTOR 50A RED SIP	
13	9100000885	1	HANDLE F BATTERY CONNECTOR SIP	
14	145 3712 000	1	RELAY 24V	



No.	Part No.	Qty.	Description	Part Note
1	9100002545	1	CHARGER BATT O/B 24V 10A 100-240V EU KIT	[1]
1	9100002751	1	CHARGER BATT O/B 24V 10A 100-240V JP KIT	[2]
2	9100002502	1	SCREW M3X10 PAN HD ISO7045 10 PCS SET	
3	9100000829	1	BAND ELASTIC F EXTENSION CABLE SIP	
4	9100002503	1	SUPPORT GALV. F BATTERY CHARG. KIT	
5	9100002504	1	SLEEVE RUBBER BLACK F BATT. CHARGER SIP	
6	9100002505	1	CHARGER BATT.O/B 24V 10A EU W/SLEEVE KIT	[3]
6	9100002506	1	CHARGER BATT.O/B 24V 10A US W/SLEEVE KIT	[4]
7	9100000787	1	CABLE EXTENSION EU PLUG L.2000MM SIP	
7	1466318000	1	CABLE EXTENSION UK PLUG L.2000MM SIP	
8	9100002437	1	SCREW M5X20 TORX ISO7380-2 10 PCS SET	

Part Notes:

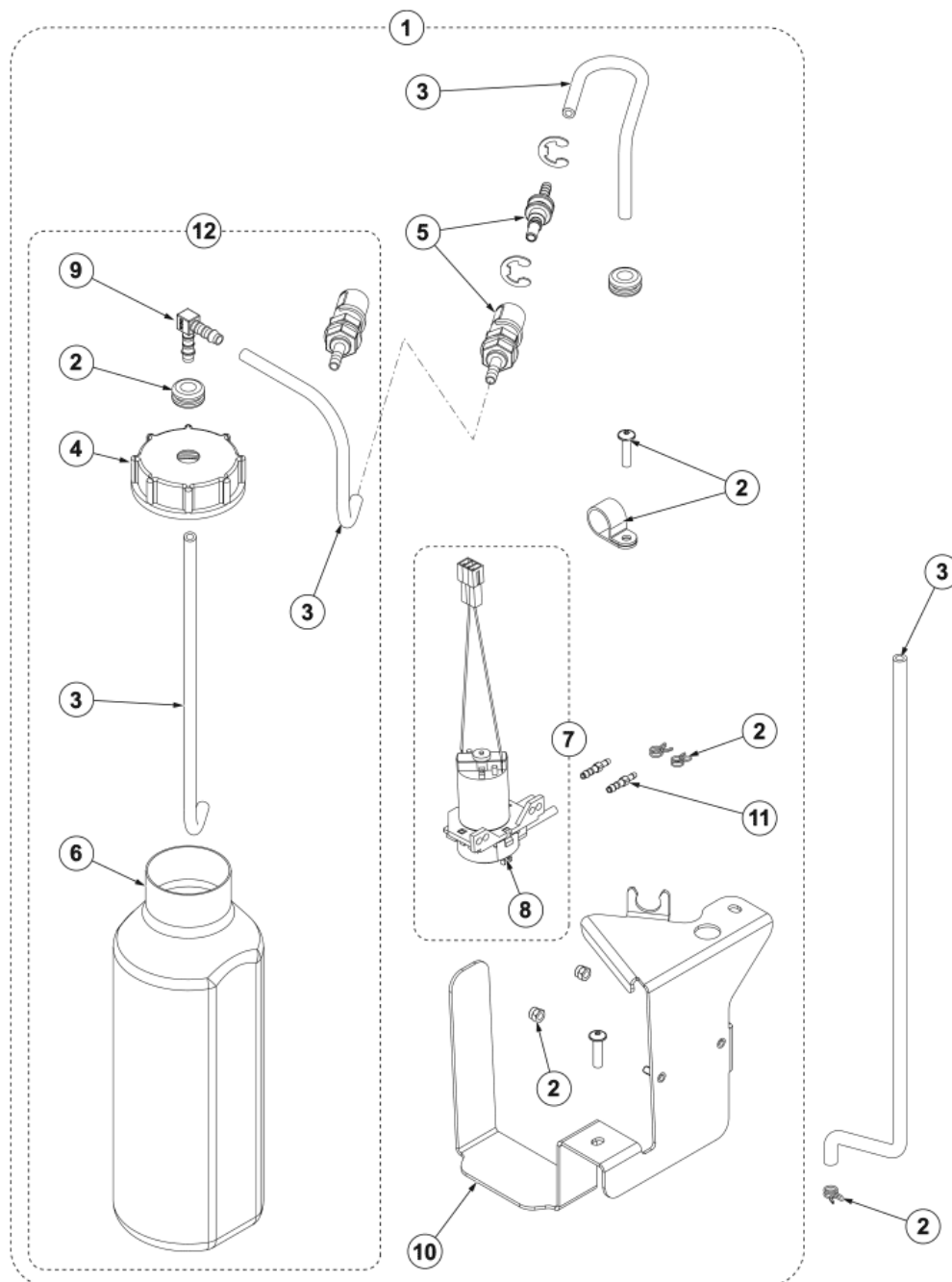
- [1] - OPTIONAL - SEE INST. INSTR. 9100002551 SEE TSB-FC-2018-009
- [2] - OPTIONAL - SEE INST. INSTR. 9100002752 NO OTHER PARTS AVAILABLE SEE TSB-FC-2018-009
- [3] - SEE TSB-FC-2018-009 DE TSB-FC-2018-009 SC401 onboard Ladegerät
- [4] - ONLY FOR US VERSION SEE TSB-FC-2018-009 DE TSB-FC-2018-009 SC401 onboard Ladegerät



No.	Part No.	Qty.	Description	Part Note
1	9100002437	1	SCREW M5X20 TORX ISO7380-2 10 PCS SET	
2	9100002495	1	COVER PLAST. ELECT. COMP. BOX DRIVE SIP	
3	909 6380 000	1	CLAMP KIT	
4	9100002496	1	GASKET BULB REINFORCED L.1050MM SIP	
5	9100002497	1	POCKET PLAST. F ELECTR. BOX COVER SIP	
6	9100002498	1	DECAL TRANSP.BOX F EL.COVER INSPECT. SIP	
7	9100002499	1	DECAL ELECTRIC BOX COVER BA SIP	
8	9100002532	1	KEY OPTION	[1]
9	9100001354	1	SWITCH IGNITION STARTER WITH CAP SIP	
10	146 2887 000	1	KEY 2 PCS	
11	9100002501	1	HARNESS SWITCH STARTER SIP	[2]

Part Notes:

- [1] - STANDARD FOR DRIVE OPTIONAL FOR NO DRIVE - SEE INST. INSTR. 9100002549
- [2] - UNTILL S/N



PL DETERGENT SYSTEM

SC401 43 B NIL

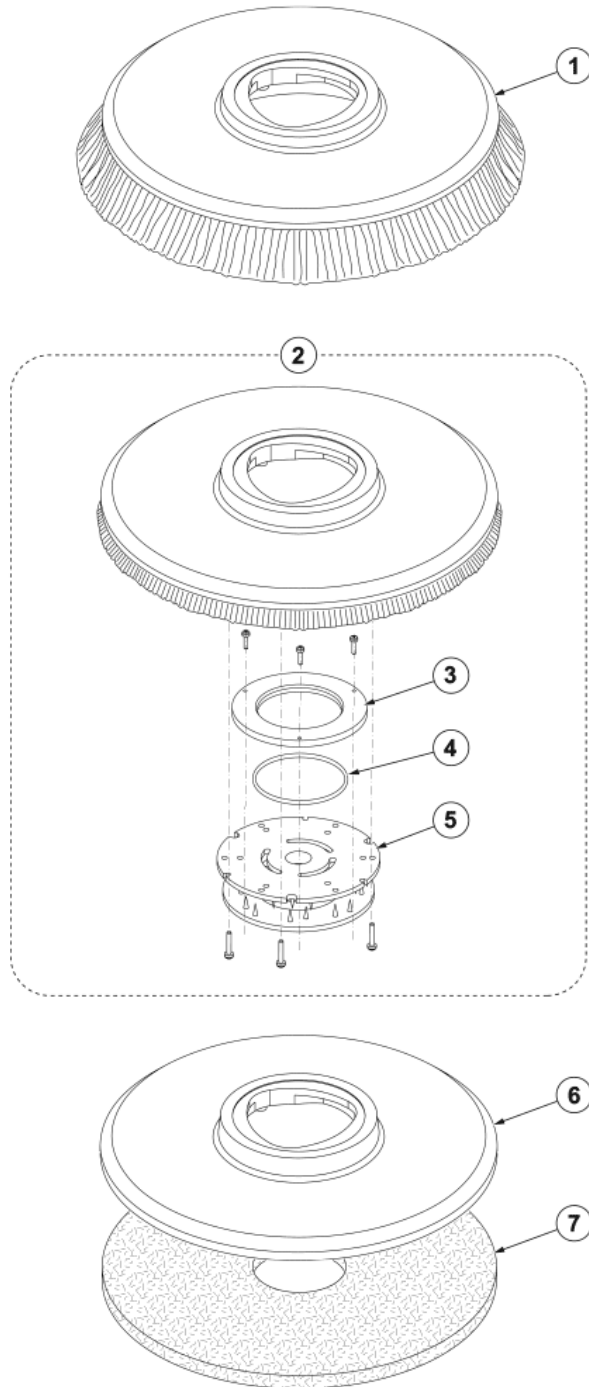
2017.11.01

2017.12.06

No.	Part No.	Qty.	Description	Part Note
1	9100002531	1	DETERGENT SOLUTION SYSTEM KIT	[1]
2	9100002510	1	HARDWARE DETERGENT SYSTEM KIT	
3	9100002534	1	HOSES SILICONE D.4X7 KIT	
4	301001004	1	CLOSING CAP W.D 13 HOLE D65X22	
5	9100002508	1	HOLDERS RUBBER KIT	
6	31000912	1	1L BOTTLE W/O CAP	
7	9100002398	1	PUMP DETERG. MIX PERISTALTIC 24V SIP	
8	9100002388	1	HEAD PERISTALTIC PUMP DETERG. SIP	
9	L08603189	1	BARB HOSE 90 D.6 PLASTIC	
10	9100002509	1	SUPPORT GALV. F PERISTALTIC PUMP SIP	
11	9100002402	1	BARB HOSE STRAIGHT D.5-D.4 2 PCS SET	
12	9100002575	1	KIT BOTTLE	

Part Notes:

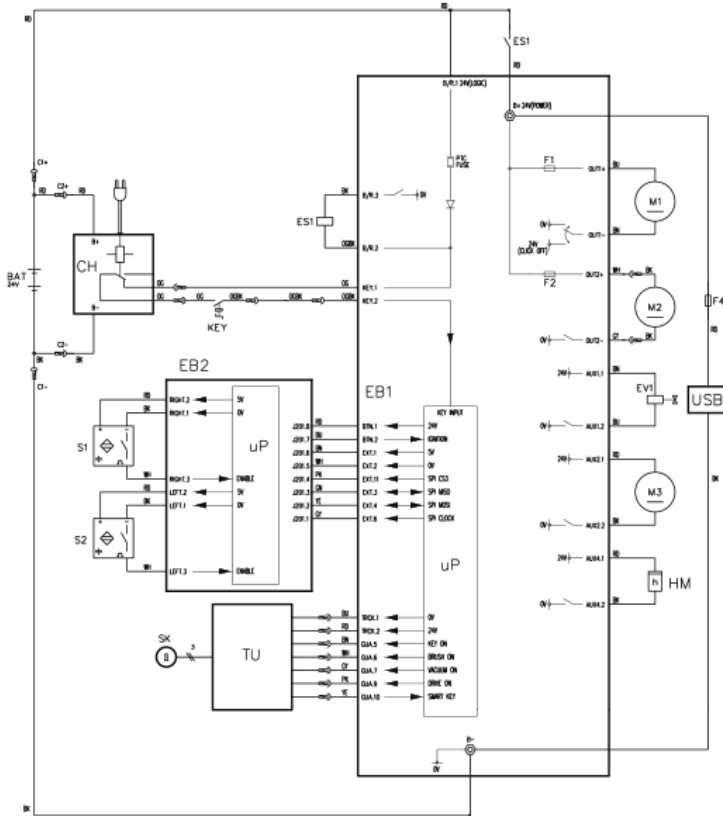
[1] - OPTIONAL - SEE INST. INSTR. 9100002550



No.	Part No.	Qty.	Description	Part Note
1	L08812891	1	BRUSH DISC 430MM 17 PROLENE BLUE	[1]
1	909 5691 000	1	RUSH DISC 430MM 17 MIDLITE GRIT 180	[1]
1	909 5692 000	1	BRUSH DISC 430MM 17 MID GRIT 240	[1]
1	909 5693 000	1	BRUSH DISC 430MM 17 PROLITE	[1]
1	909 5694 000	1	BRUSH DISC 430MM 17 UNION MIX	[1]
2	9100001897	1	PAD HOLDER BRISTLE 17 430MM	[1]
3	L08603966	1	RING NYLON	
4	L08603965	1	O-RING 2.62X82.22 -3325-NBR 40SH	
5	56505195	1	PAD RETAINER	
6	9100002050	1	PAD HOLDER FLAT 17 432MM	[1]
7	10001936	1	PAD 17 432MM ECO WHITE 5PCS	[1]
7	10001937	1	PAD 17 432MM ECO TAN 5PCS	[1]
7	10001938	1	PAD 17 432MM ECO BLACK 5PCS	[1]
7	10001939	1	PAD 17 432MM ECO BLUE 5PCS	[1]
7	10001940	1	PAD 17 432MM ECO GREEN 5PCS	[1]
7	10001941	1	PAD 17 432MM ECO RED 5PCS	[1]
7	10002336	1	PAD 17 432MM ECO BRILLIANCE RED 2PCS	[1]
7	10002337	1	PAD 17 432MM ECO BRILLIANCE BLUE 2PCS	[1]
7	10002338	1	PAD 17 432MM ECO BRILLIANCE YELLOW 2PCS	[1]
7	10002339	1	PAD 17 432MM ECO BRILLIANCE GREEN 2PCS	[1]

Part Notes:

[1] - OPTIONAL



No.	Part No.	Qty.	Description	Part Note
BAT			BATTERIES	
C1	9100002248		CONNECTOR 50A RED SIP	
C2			CONNECTOR	
CH	9100002505		CHARGER BATT.O/B 24V 10A EU W/SLEEVE KIT	
EB1	9100002494		CONTROLLER MAIN MACHINE BAT SIP	
EB2	9100002472		CONTROLLER USER INTERFACE 24V SIP	
ES1	145 3712 000		RELAY 24V	
EV1	9100000870		SOLENOID VALVE 24V SIP	
F1	145 8513 000		FUSE BLADE 30A UL	
F2	145 8513 000		FUSE BLADE 30A UL	
F4			FUSE	
HM	9100002257		METER HOUR 24V KIT	
KEY	9100001354		SWITCH IGNITION STARTER WITH CAP SIP	
M1	9100000874		REDUCTION GEARMOTOR 450W 24V SIP	
M2	9100000823		MOTOR VACUUM 24V 280W SIP	
M3	9100002398		PUMP DETERG. MIX PERISTALTIC 24V SIP	
S1,S2	9100002016		SENSOR CAPACITIVE SIP	
SK			SMART KEY	
TU			TRACK CLEAN	
USB	9100002258		USB PORT KIT SC401 BD	

