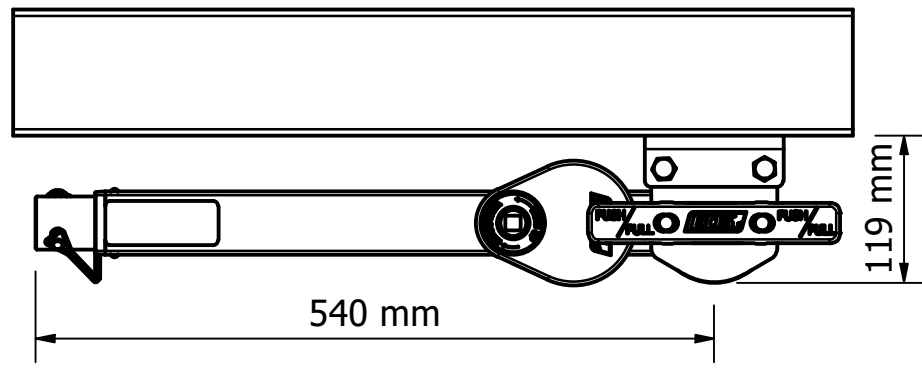


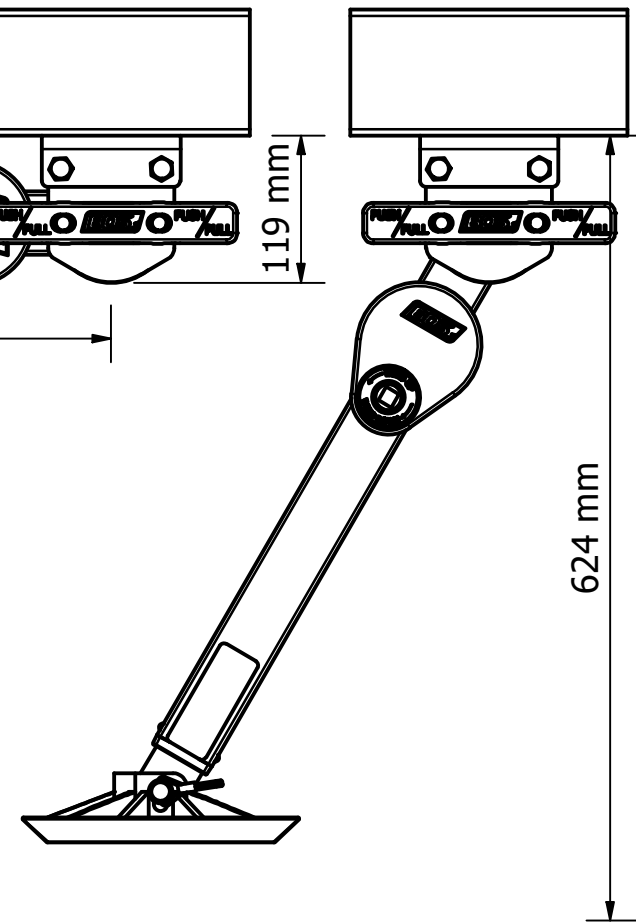
440-060 STABILISER LEG 600

ANGLE POSITIONS & MOUNTING OPTIONS

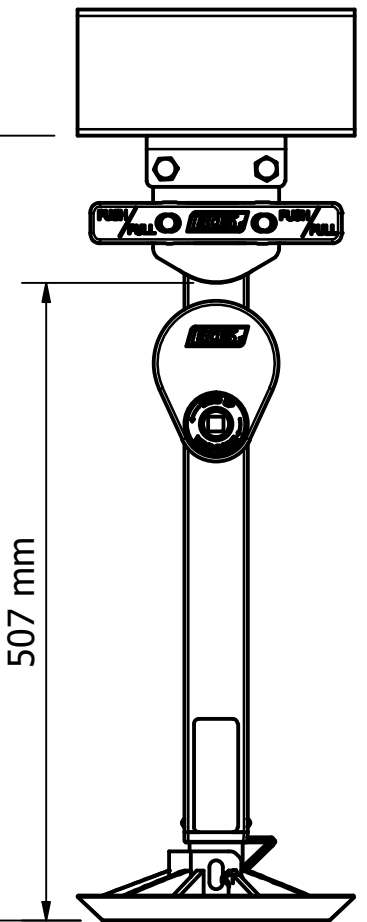
0° POSITION
WHILE TRAVELLING



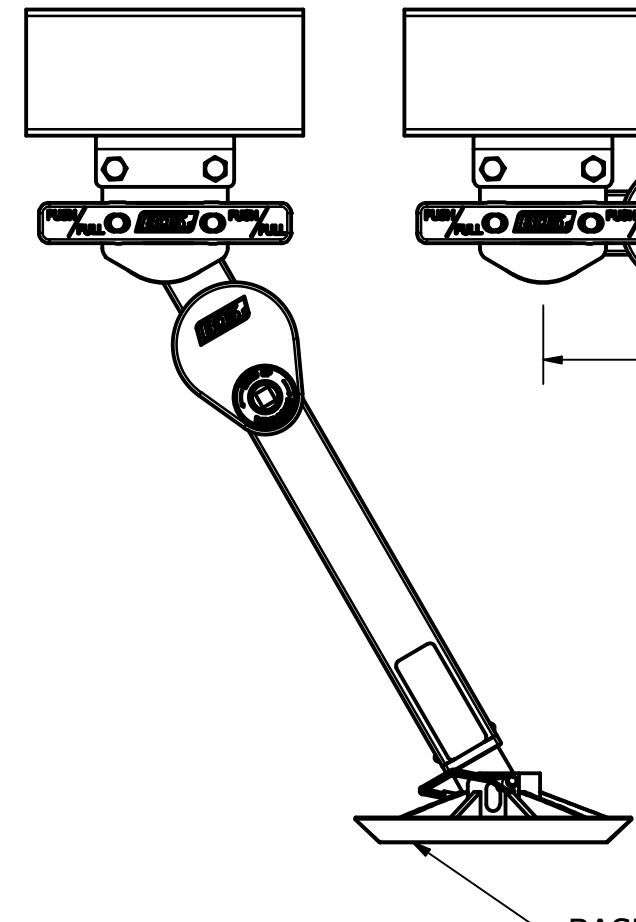
30° POSITION



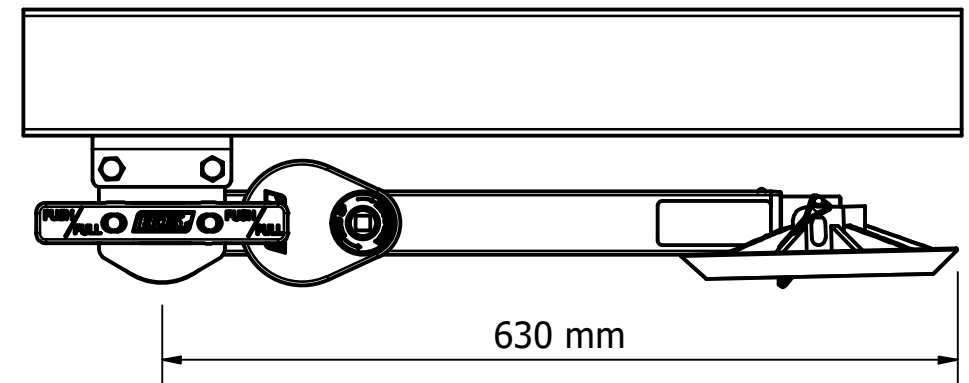
90° POSITION



30° POSITION

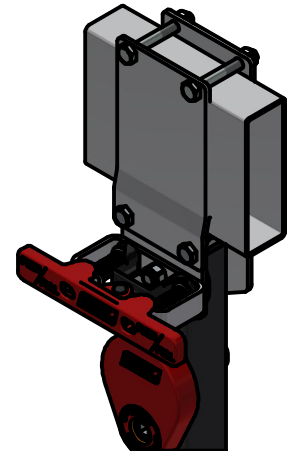


TRAVEL POSITION
WITH BASE PLATE

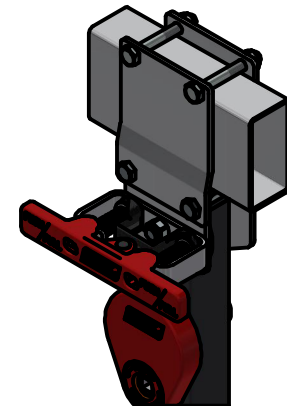


BASE PLATE TO CONTOUR THE LANDSCAPE
AND IT IS ROTATABLE

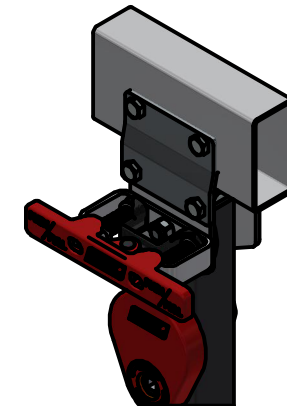
BOLT OVER 150mm



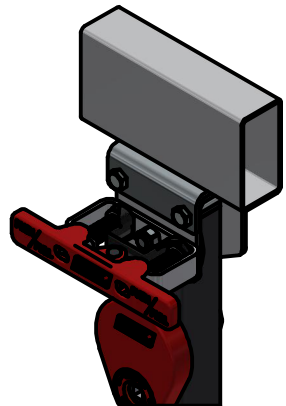
BOLT OVER 100mm



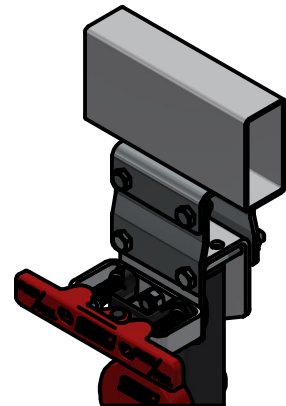
BOLT THROUGH



WELD ON



WELD ON EXTENDED



Travel made easy 