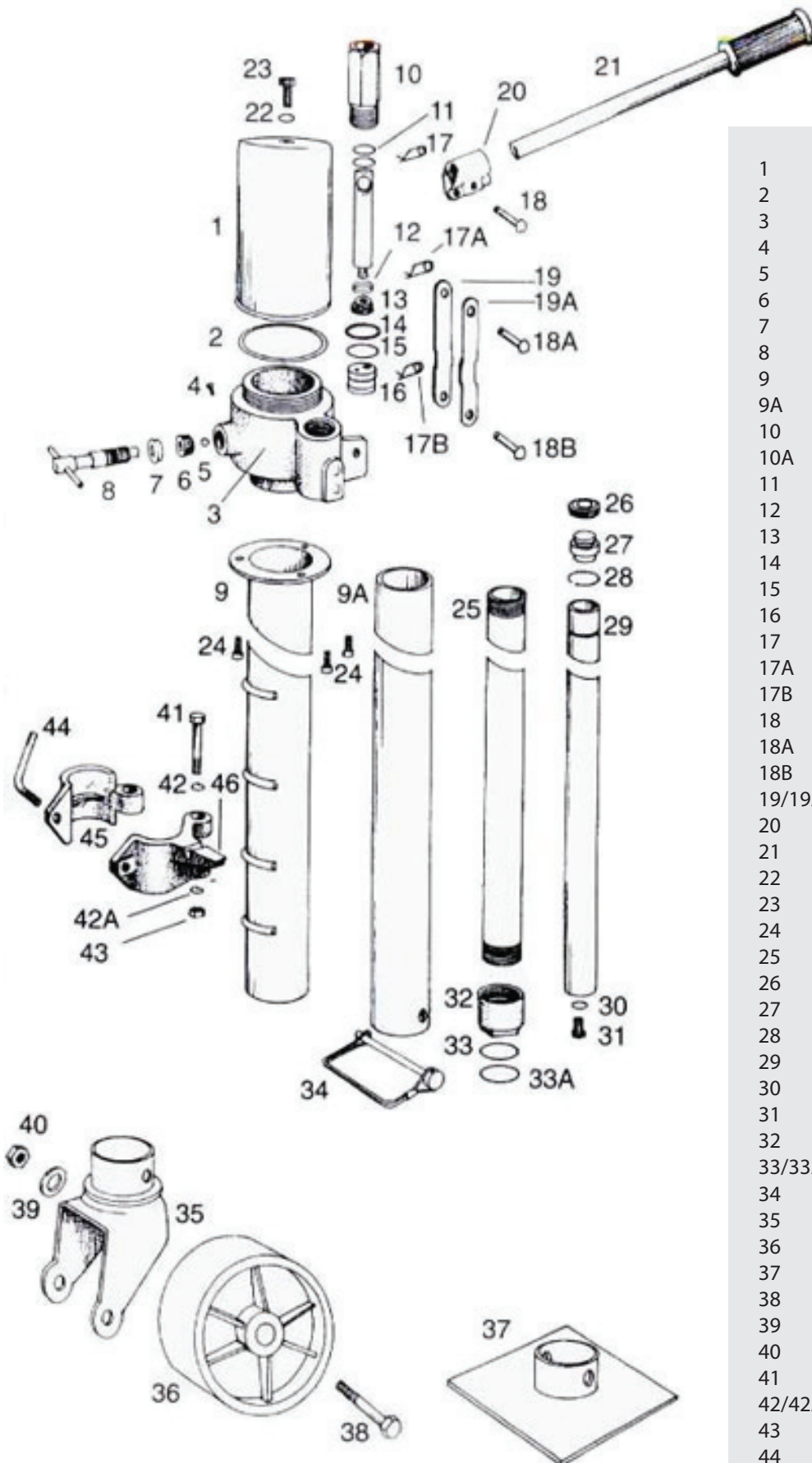


Trail-A-Mate Parts List



- 1 OIL RESERVOIR
- 2 O-RING
- 3 PUMP HOUSING
- 4 SCREW
- 5 BALL BEARING
- 6 SEAL
- 7 SEAL COVER
- 8 RELEASE VALVE
- 9 OUTER SHAFT COVER
- 9A INNER SHAFT COVER
- 10 PISTON HOUSING
- 10A PISTON
- 11 PISTON SEALS
- 12 COLLAR
- 13 SEAL
- 14 O-RING
- 15 O-RING
- 16 CHECK VALVE
- 17 SNAP PINS
- 17A SNAP PINS
- 17B SNAP PINS
- 18 LINKAGE PINS
- 18A LINKAGE PINS
- 18B LINKAGE PINS
- 19/19A LINKAGES
- 20 JACK HANDLE LINKAGE
- 21 PUMP HANDLE
- 22 O-RING
- 23 AIR RELEASE VALVE
- 24 ALLEN KEY STUDS (3)
- 25 SHAFT HOUSING
- 26 SEAL
- 27 SEAL COVER
- 28 COLLAR
- 29 MAIN SHAFT
- 30 SPRING WASHER
- 31 BOLT
- 32 SHAFT COLLAR
- 33/33A SHAFT SEALS
- 34 WHEEL LOCATING PIN
- 35 WHEEL HOUSING ASSEMBLY
- 36 WHEEL
- 37 BASE PLATE
- 38 WHEEL AXLE
- 39 SPRING WASHER
- 40 AXLE NUT
- 41 BOLT
- 42/42A SPRING WASHERS
- 43 NUT
- 44 LIFTING CLAMP HANDLE
- 45 LIFTING CLAMP
- 46 LIFTING SADDLE