

MODEL: **572-003**



Travel made easy ✓

2 RIB SIDE WINDER UNIT

50MM DIAMETER - BASE PLATE

- Fits into your existing 50mmØ clamp.
- Patented BOS® Gearbox features a unique 12mm drive set for added security and provides effortless operation with a cordless drill or manual handle as a backup.
- Load Capacity of up to 1800kg.
- 350mm Extended travel.
- Unit can be left on while traveling, locking it in with medium clutch setting and the BOS® traveling strap.
- The articulated base plate kit will adjust to uneven ground up to 30° and is great if you have no need for a wheel.
- 120mm Pipe extension when extra height is needed.
- 8" double offset wheel can be attached.
- Purchase the BOS® clamp and mounting system to relocate the jockey unit.



With you all the way!



BOS Jockey Wheels & Accessories Pty Ltd.

02 9623 6922 | sales@bos370.com.au | www.bos370.com.au

100 % Australian Family Owned & Operated



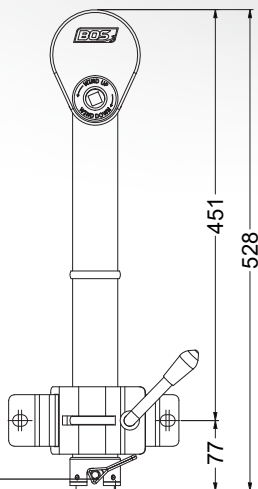
Travel made  easy

2 RIB SIDE WINDER UNIT

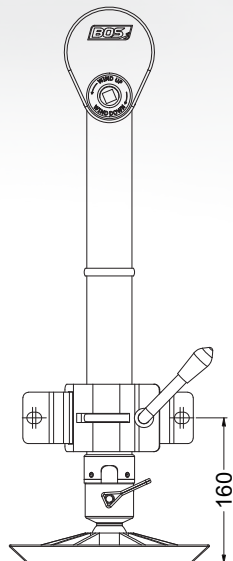
50MM DIAMETER - BASE PLATE

MODEL: **572-003**

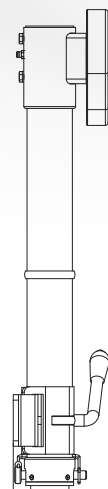
TRAVEL POSITION
WITH-OUT BASE PLATE



RETRACTED
WITH BASE PLATE

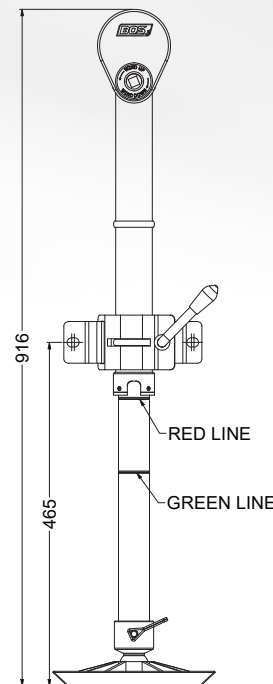


SIDE VIEW

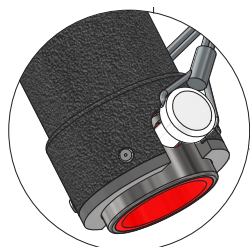
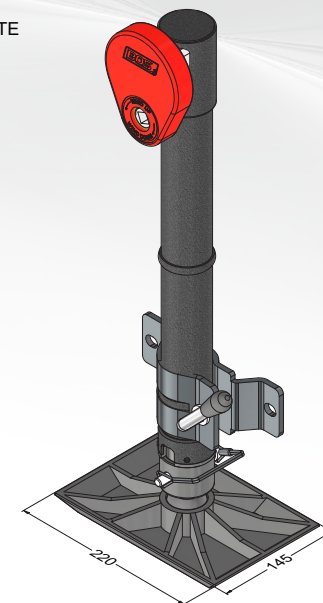
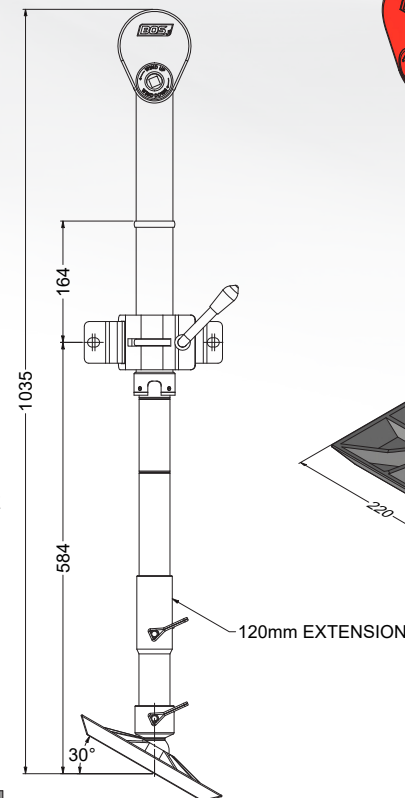


EXISTING

MAXIMUM EXTENSION
WITH BASE PLATE



MAXIMUM EXTENSION WITH
120mm EXTENSION & BASE PLATE



FULLY RETRACTED WITH LYNCH PIN
TO LEAVE ON WHILE TRAVELLING

KIT INCLUDES

020-003

Handle 12mm
(HDFR) Nylon



010-062

Swivel Base Plate
(HDFR) Nylon



010-036

BONUS BOS®
Stubby Bottle
Cooler



020-026

Stainless Steel
Extension 120mm



020-018

x2 Quick
Release Pins



010-035

BONUS BOS®
Stubby Can Cooler



370-STRAP

BOS Travel Strap



020-007

12mm Drill
Drive Piece



020-037

BOS Jockey
Weather Cover

